

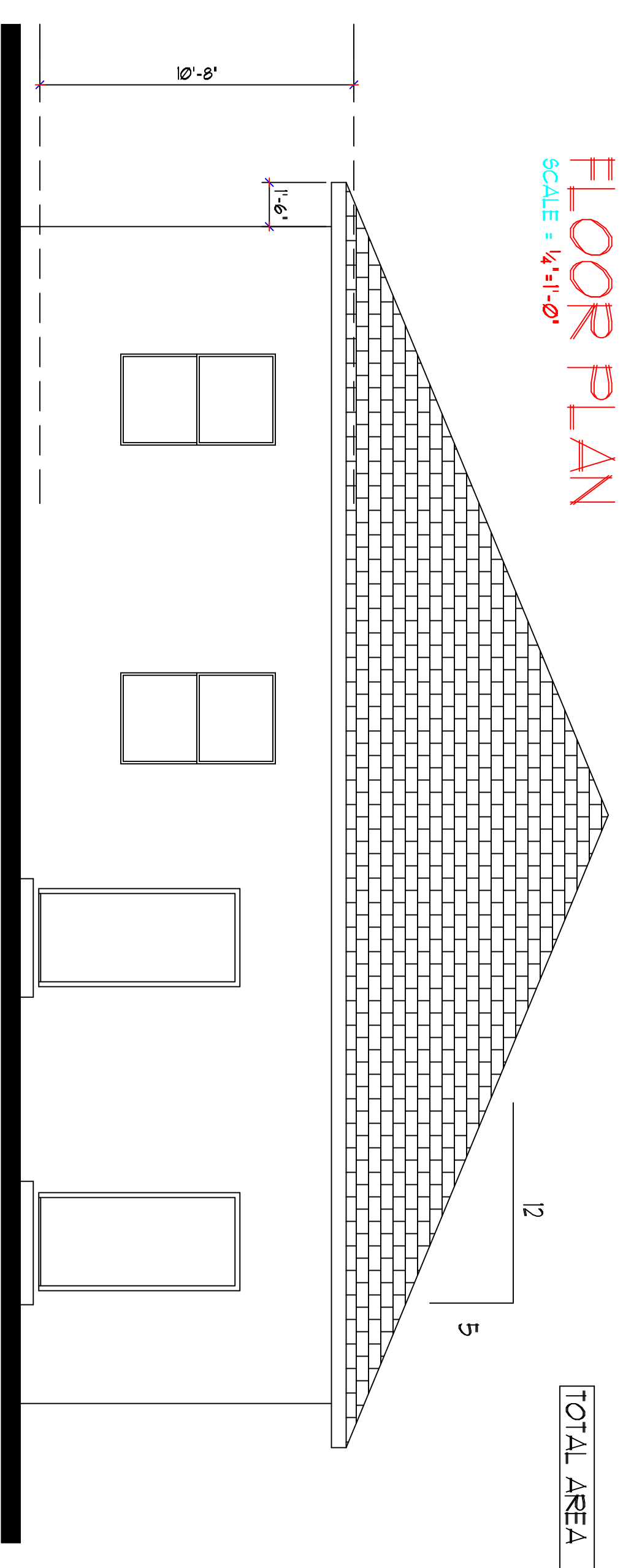
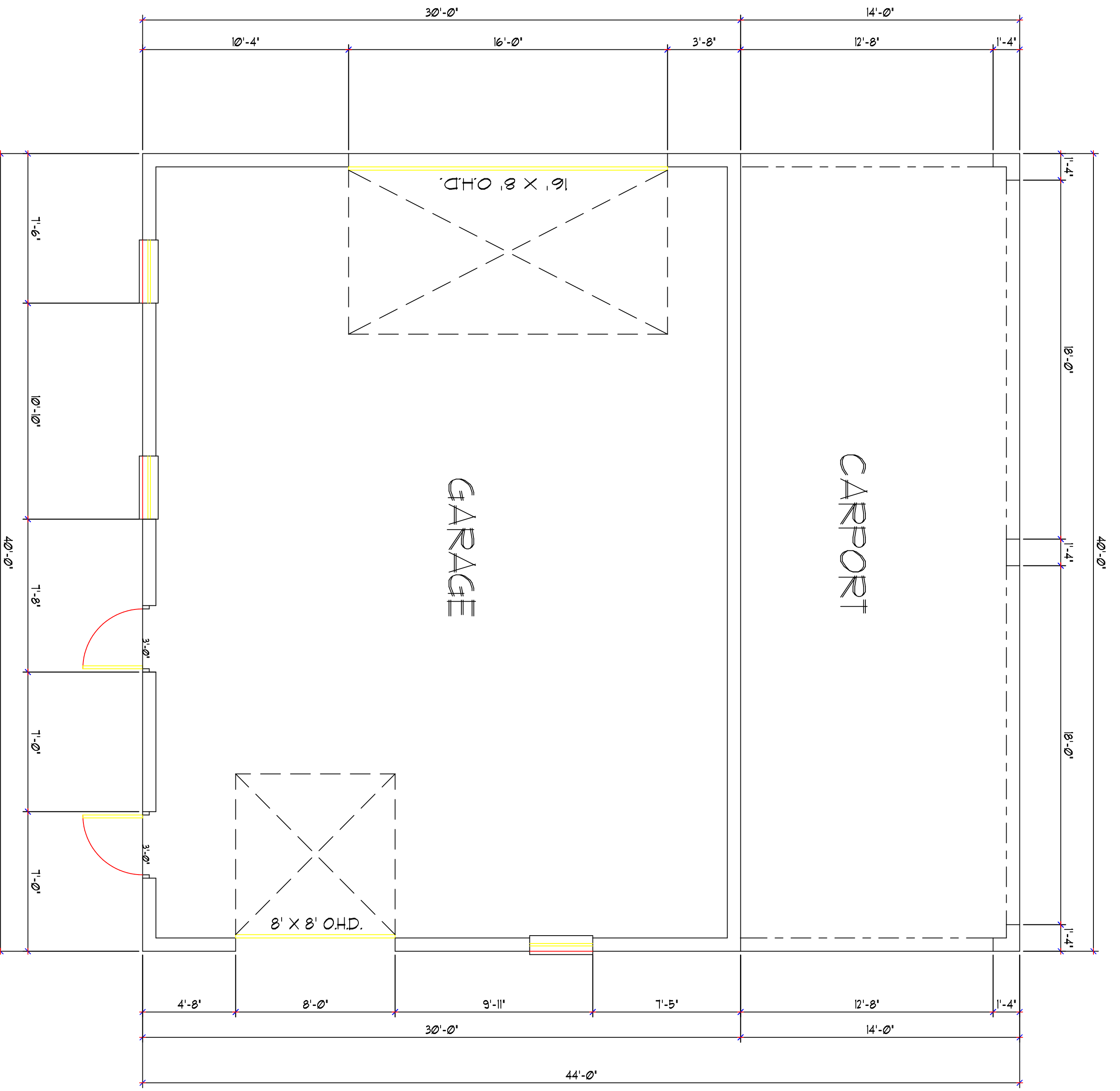
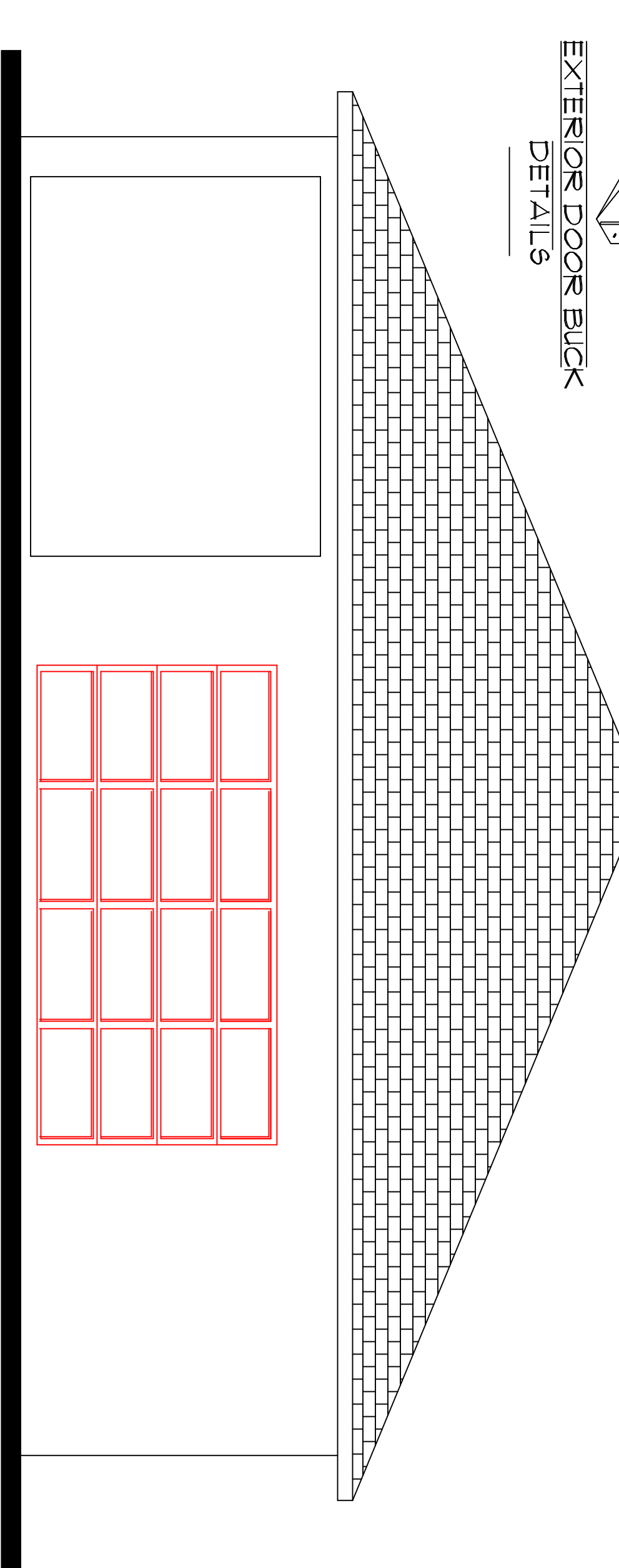
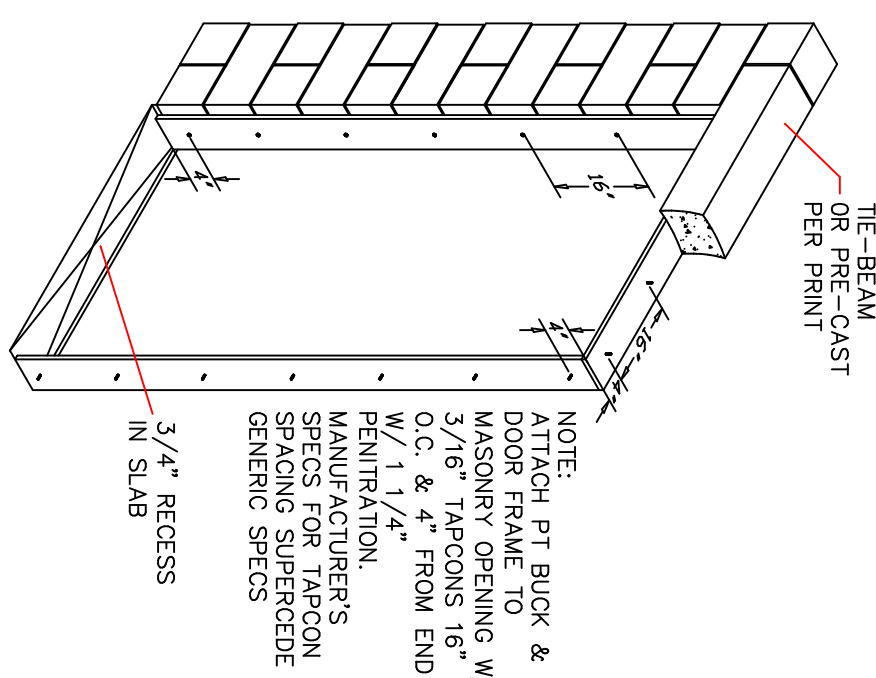
### PRECAST LINTEL SCHEDULE

 8" H, Insulated Block SOLID W/ (1) #3 BAR ON 4" BEAM W/ (1) #3 BAR.	 8" H, Insulated Block SOLID W/ (1) #3 BAR ON 4" BEAM W/ (1) #3 BAR.
---	---

NOTE: SET LINTEL AT REQUIRED HEIGHT PER MANUFACTURER'S DETAILS. HOT SET LINTEL AT REQUIRED HEIGHT PER MANUFACTURER'S DETAILS. USE ADDITIONAL COURSE OF STD B/X CONCRETE AND PRECAST SOLID GROUT FOR STABILIZATION (SEE DETAIL).

### DESIGN CRITERIA

DWELLING FLOORS/SLAB ON GRADE - 40 PSF LIVE LOAD + 55 PSF DEAD LOAD. DWELLING FLOORS/WOOD DECKING - 40 PSF LIVE LOAD + 15 PSF DEAD LOAD. ROOFING - 20 PSF LIVE LOAD + 15 PSF DEAD LOAD. ROOF LOADS = 30 PSF LIVE LOAD/ 17 PSF DEAD LOAD. ULTIMATE WIND SPEED = 160 MPH, PER ASCE 7-10. EXPOSURE = C, RISK CATEGORY II. INTERNAL PRESSURE COEFFICIENT = 0 REBUILDING, FULLY ENCLOSED.



WOLF CONSULTING ENGINEERS  
 11701  
 PORT CHARLOTTE, FL 33948  
 PHONE: 734-2028  
 FAX: 734-2028  
 WWW.WOLFCONSULTING.COM

MICHAEL S. WOLF, P.E. 55901 - CERT. OF APRIL, 2004

DRAWING NO. B-010  
 DRAWN BY: RJS  
 REVISION DATE:  
 DRAWING DATE: 1-24-16  
 SHEET 1 OF 1

**SNYDERS DRAFTING**  
 1578 EL JOBEAN RD.  
 PORT CHARLOTTE, FL, 33948  
 (941) 766-7977

PROPOSED GARAGE FOR:  
**ROBERT COLLARD**  
 210 NORTH VIEW ST. PORT CHARLOTTE

BUILDER  
**K.R. BROBST BUILDER**